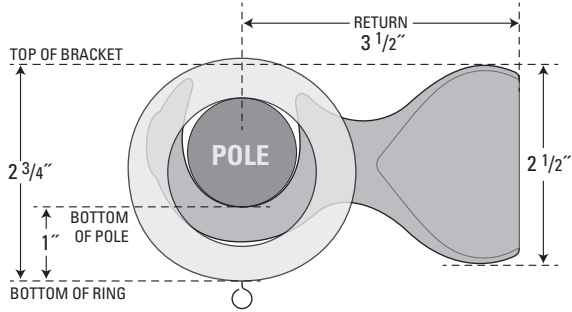


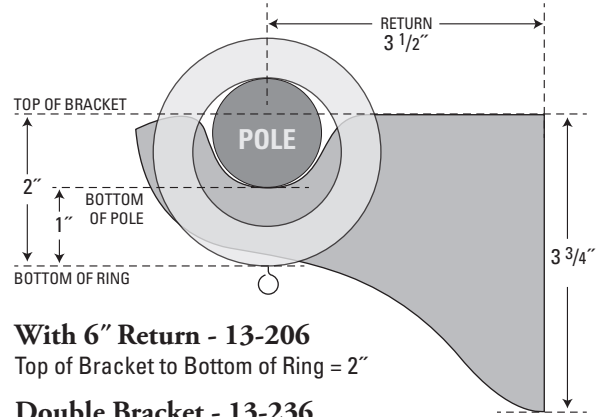


Select Wood Bracket Details $1\frac{3}{8}$ " Diameter

$1\frac{3}{8}$ " European Bracket - 13-223



$1\frac{3}{8}$ " Traditional Bracket - 13-203



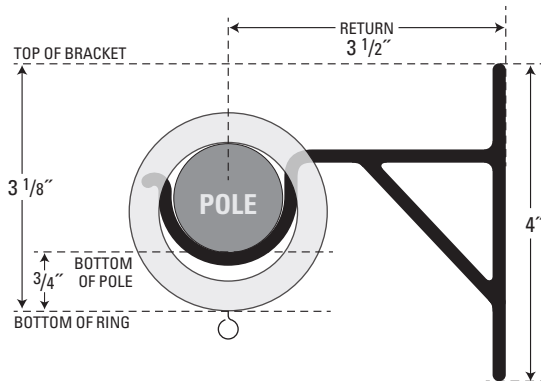
With 6" Return - 13-206

Top of Bracket to Bottom of Ring = 2"

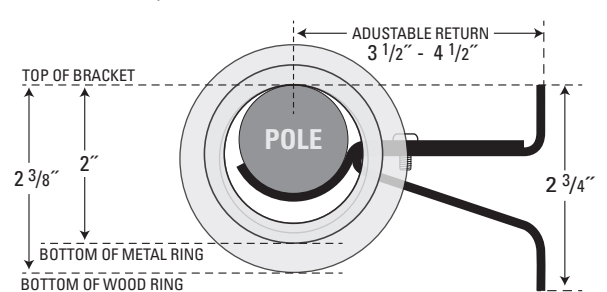
Double Bracket - 13-236

Top of Bracket to Bottom of Ring = 2"
For Both Pole Locations.

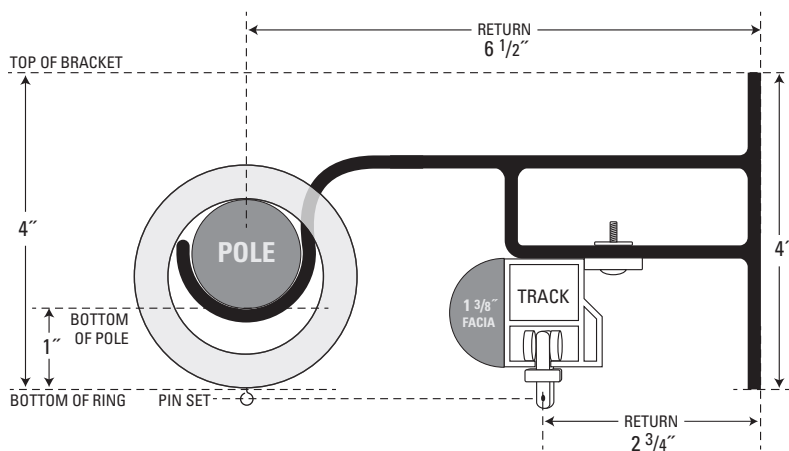
$1\frac{3}{8}$ " Iron Bracket - 10-273



$1\frac{3}{8}$ " Adjustable Metal Bracket - 10-203



$1\frac{3}{8}$ " Pole Combination Bracket - 10-296



$1\frac{3}{8}$ " Rings

	Part #	ID	OD
Smooth Wood Ring	13-300	$1\frac{7}{8}$ "	$2\frac{7}{8}$ "
Metal Ring	10-300	$1\frac{3}{4}$ "	$2\frac{1}{4}$ "
Iron Ring	10-270	$1\frac{3}{4}$ "	$2\frac{1}{2}$ "