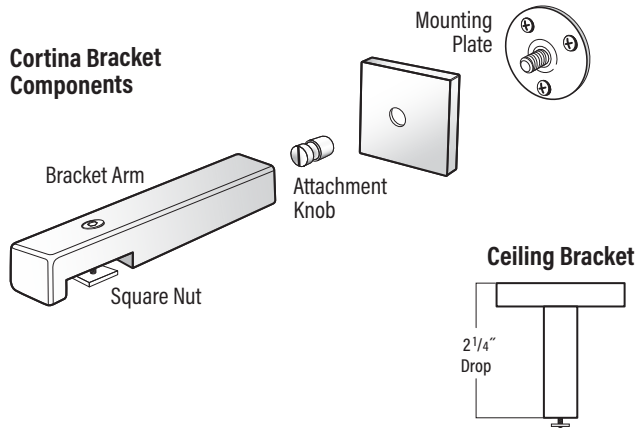


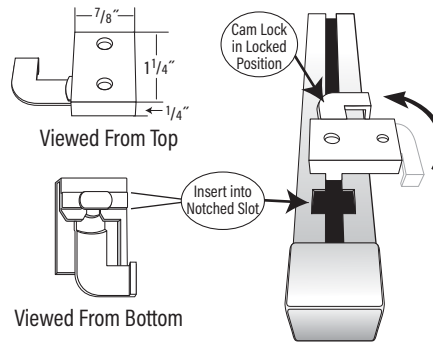
Cortina Traverse Rods *Measurements and Installation*



Cortina Bracket Components



Flush Mount Ceiling Bracket

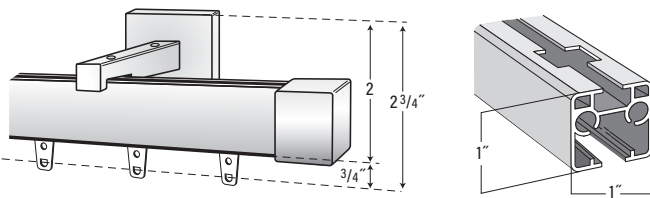


Slide Brackets into Notched Slot at top of track and evenly space them across the track. Use all brackets that are sent with the track.

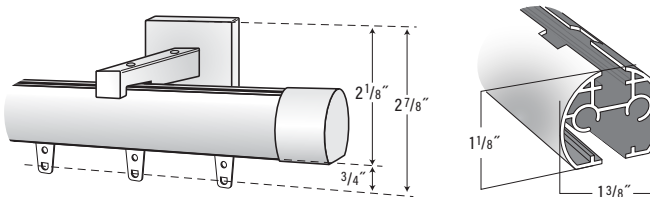
Turn the Cam Lock to lock Bracket into position.

Attach the rod to ceiling after all brackets are in position. Use appropriate fasteners and anchors based on material.

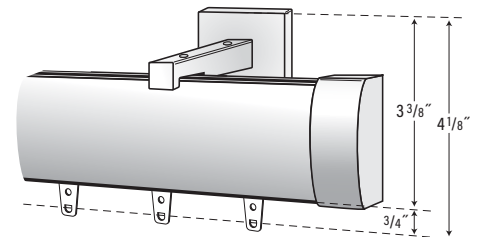
Sintra Traverse Rod Measurements



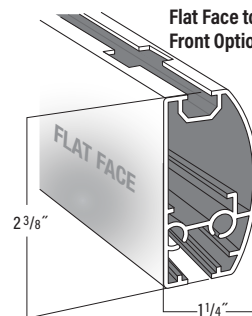
Obidos Traverse Rod Measurements



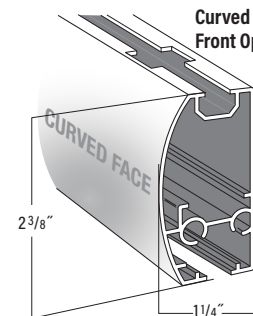
Coimbra Traverse Rod Measurements



Flat Face to Front Option



Curved Face to Front Option



Cortina Traverse Rod Installation

Illustrations shown with Sintra Track. All Cortina tracks install the same.

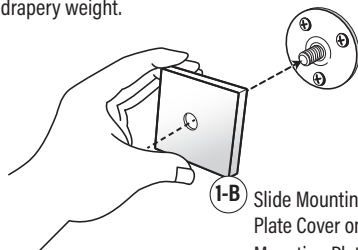
Brackets ship assembled. Must be separated as shown above

BEFORE PROCEEDING TO STEP 1

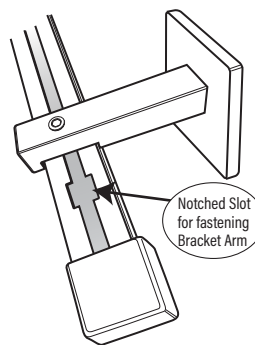
Carefully consider location for mounting hardware before attaching Mounting Plates to wall. Bracket arm may not be positioned on top of Notched Slot. Notched Slots are on both ends of track.

1. Attach Mounting Plates to Wall

- 1-A** Secure Round Mounting Plate to wall using the proper fasteners and anchors based on mounting surface and drapery weight.

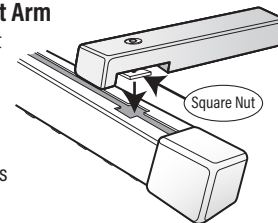


- 1-C** Screw Attachment Knob onto Mounting Hardware.



2. Attach Track to Bracket Arm

Insert Square Nut of Bracket Arm into Notched Slot. Then slide Bracket Arm toward End Cap or toward track Center to match up with Mounting Hardware that was attached to wall in Step 1.



3. Attach Track to Mounting Hardware

- 3-A** With Track attached to Bracket Arm, slide Bracket Arm onto Attachment Knob.
- 3-B** Tighten Set Screw to secure Square Nut. Tighten Set Screw on Bracket Arm to secure Track Assembly to Wall Bracket.

