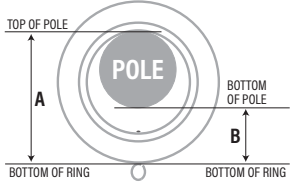
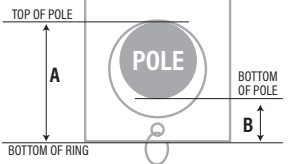
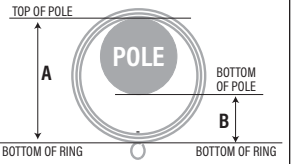
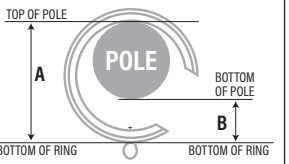




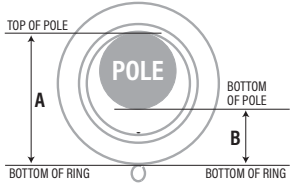
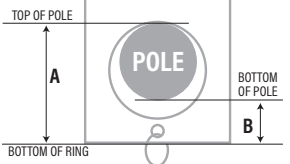
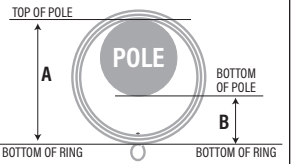
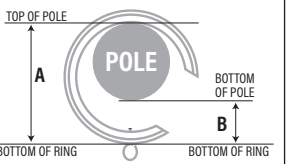
# Ring Measurements

For Select Metal Brass and Iron Works

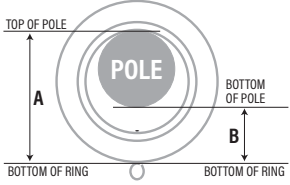
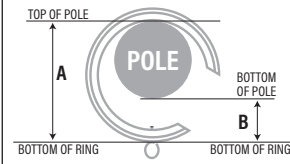
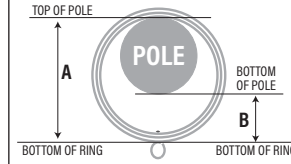
## 3/4" Brass Rings

	 <b>Round Ring</b>	 <b>Square Ring</b>	 <b>Flat Ring</b>	 <b>By-Pass Ring</b>
	<b>ROUND RING</b> 120-3000 for use with 3/4" Pole	<b>SQUARE RING</b> 120-3100 for use with 3/4" Pole	<b>FLAT RING</b> 120-3600 for use with 3/4" Pole	<b>BY-PASS RING</b> 120-3400 for use with 3/4" Pole
<b>A =</b> Top of Pole to Bottom of Ring	1 1/2"	1 1/2"	1 1/4"	1 3/8"
<b>B =</b> Bottom of Pole to Bottom of Ring	5/8"	5/8"	1/2"	5/8"

## 1 3/16" Brass Rings

	 <b>Round Ring</b>	 <b>Square Ring</b>	 <b>Flat Ring</b>	 <b>By-Pass Ring</b>
	<b>ROUND RING</b> 130-3000 for use with 1 3/16" Pole	<b>SQUARE RING</b> 130-3100 for use with 1 3/16" Pole	<b>FLAT RING</b> 130-3600 for use with 1 3/16" Pole	<b>BY-PASS RING</b> 130-3400 for use with 1 3/16" Pole
<b>A =</b> Top of Pole to Bottom of Ring	2"	1 7/8"	1 7/8"	1 7/8"
<b>B =</b> Bottom of Pole to Bottom of Ring	7/8"	5/8"	3/4"	5/8"

## Iron Works Rings - 3/4" and 1 3/16"

	 <b>Round Ring</b>	 <b>By-Pass Ring</b>	 <b>Flat Ring</b>			
	<b>ROUND RING</b> 120-3700 for use with 3/4" Pole	<b>BY-PASS RING</b> 130-3700 for use with 1 3/16" Pole	<b>FLAT RING</b> 120-3600 for use with 3/4" Pole			
	<b>ROUND RING</b> 130-3700 for use with 1 3/16" Pole	<b>BY-PASS RING</b> 120-3400 for use with 3/4" Pole	<b>FLAT RING</b> 130-3600 for use with 1 3/16" Pole			
<b>A =</b> Top of Pole to Bottom of Ring	1 1/2"	2"	1 3/8"	1 7/8"	1 1/4"	1 7/8"
<b>B =</b> Bottom of Pole to Bottom of Ring	5/8"	7/8"	5/8"	5/8"	1/2"	3/4"